

Technical Information Letter

VIX-170 DISPLAY

Preliminary document

1. Configuration of the display (VIX170)

When you turn on the power on the VIX-170 it can take around 30 seconds before it turns on.

The display can receive the loadcell value through Wi-Fi or CAN, but you always need to configure the display through Wi-Fi.

First you need to connect to the display through Wi-Fi. A Example of the SSID is (VIX170_098715), Normally there is no password necessary but if they ask for one than the password is "946713222".

When you are connected to the VIX-170 you open a browser and enter IP 192.168.167.1 in the search bar of your browser.

Pcb Name: VIX1706d
Firmware: V1.21.08P
Serial.N: 00000.001
Hard.Ref: 1600C400D80B

Network:	<input type="text" value="IC4C98548261"/>
Password:	<input type="text" value="azerty123"/>
UDP Port:	<input type="text" value="1667"/>
Can Id:	<input type="text" value="11"/>
Channel:	<input type="text" value="5"/>
Bright:	<input type="text" value="50"/>
Repeater:	<input type="text" value="0"/>
N Limiters:	<input type="text" value="2"/>
DecPoint:	<input type="text" value="0"/>
Fraction:	<input type="text" value="1"/>
Filter:	<input type="text" value="0"/>

- Network: is the network name of the IC4C modem.

- Password: it is the network password of the IC4C modem.

- UDP Port: it is the UDP port through which the data communication is established.

- CAN Id: it is the communications channel CAN ID of the I-C4C.

- Channel: it is the position of the analog variable that we want to read. (Example: AV5, AV6).

- Bright: It is the luminosity level of the display; it goes from 0 to 100%.

- DecPoint : the placement of the decimal point.

2. CAN connection

If the display is connected to a IC4C then it needs to be connected to a 250kb/s CAN BUS .

Power cable :

Blue -> N (neutral)

Brown -> L1 (Line)

Can cable:

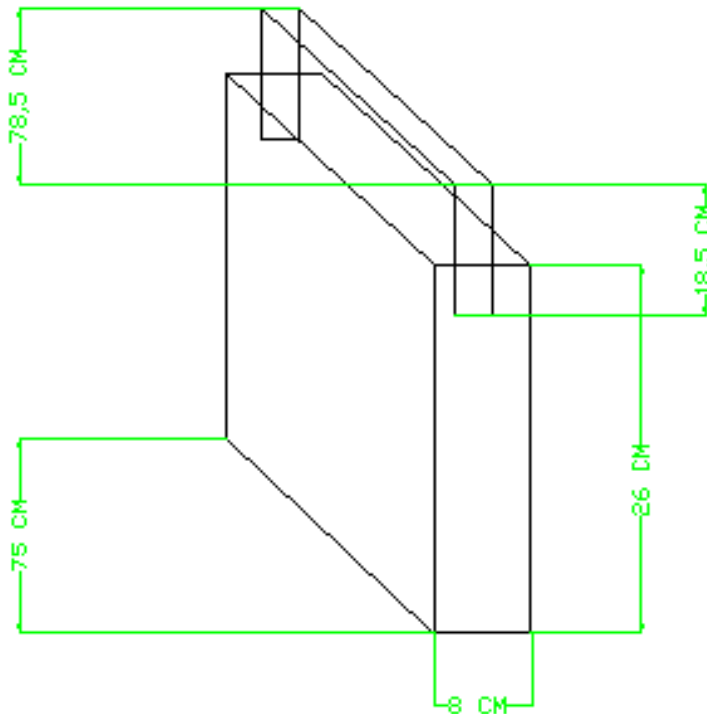
Black -> ground

Brown -> CAN H

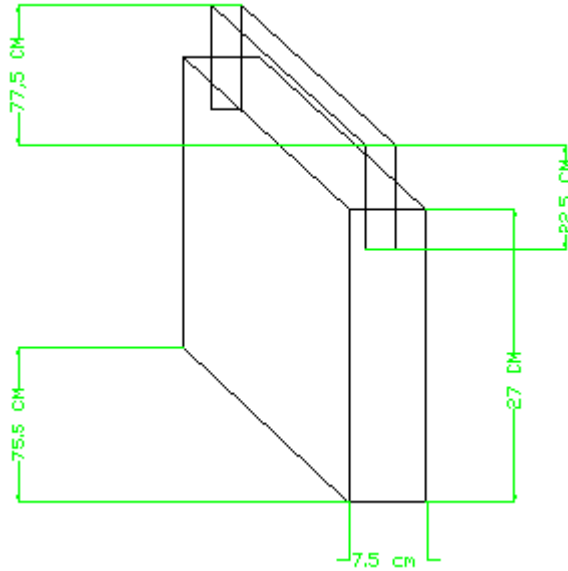
Blue -> CAN L

3. Dimensions

VIX-170 INDOOR :



VIX-170 OUTDOOR :



4. Technical specifications

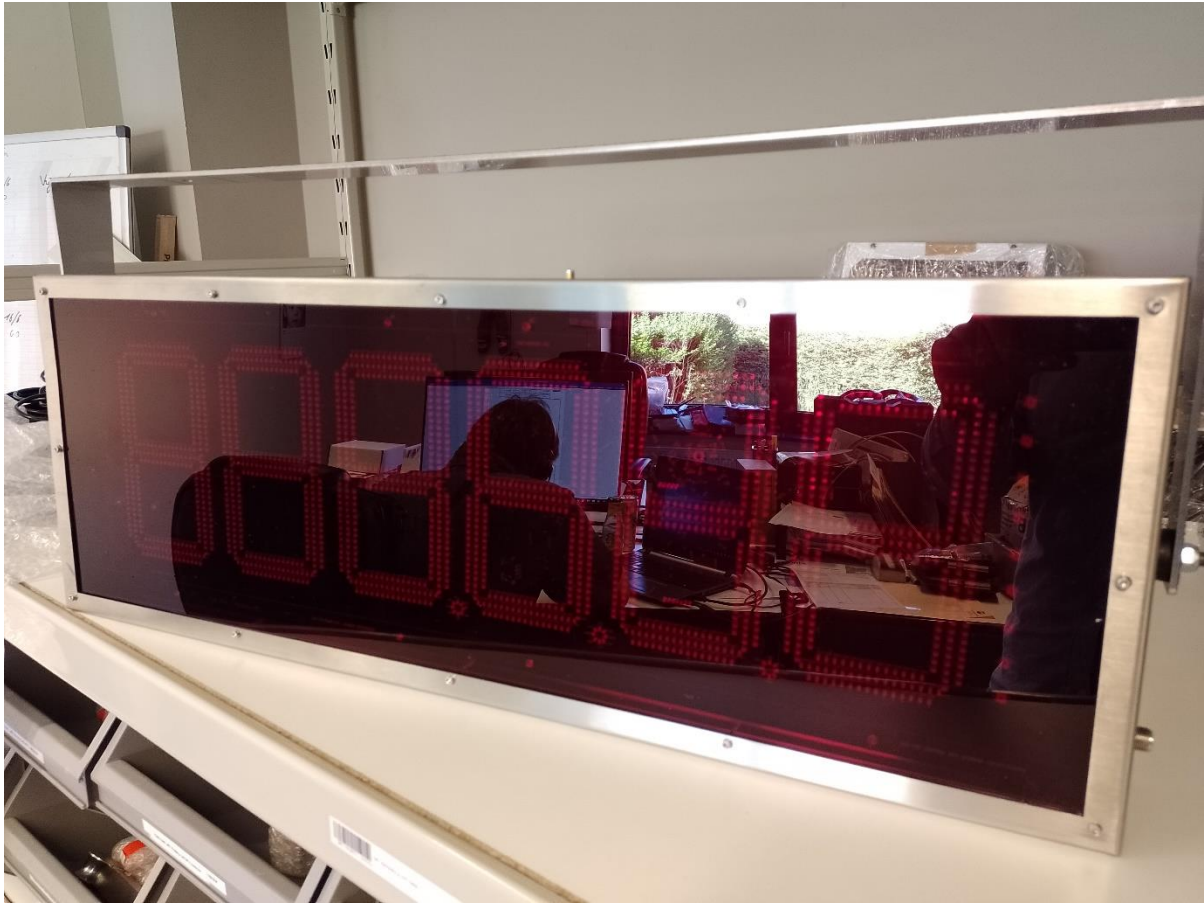
Power : 90/240Vac power supply

Working temperature: from -20 to 70°C

5. visual look



OUTDOOR:



6. Meaning led's on the side of the display



LED'S ON THE RIGHT SIDE:

- 1- TARA
- 2- WIFI
- 3- STABILITY
- 4- LIM-1
- 5- LIM-2
- 6- LIM-3
- 7- -
- 8- -
- 9- RUN